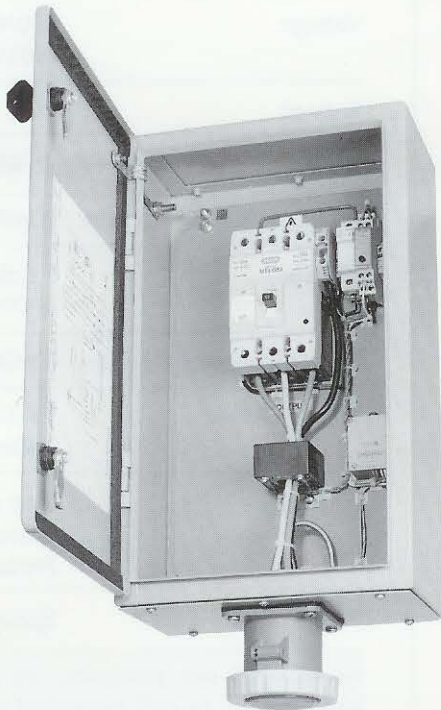


# FDB I7 RCCB/ECM + Socket Outlet



**MULTI-FUNCTION  
ELECTRICAL  
PROTECTION**

**ELECTRONIC  
EARTH LEAKAGE  
SENSOR**

**ADJUSTABLE EARTH  
CONTINUITY  
MONITOR**

**OVERLOAD AND  
SHORT CIRCUIT  
PROTECTION**

**ELECTRICAL  
INTERLOCK**

**ROBUST (IP65)  
ENCLOSURE**

A range of heavy duty electrical protection units comprising high or medium sensitivity RCD together with adjustable Earth Monitor and a triple pole MCCB to provide overcurrent and short circuit protection.

The FDB17 affords total protection to portable and transportable plant and equipment where the maintenance of a reliable earth is vital and where the earth line itself is at risk from accidental damage or disconnection.

The EMGUARD Earth Continuity Monitor (ECM) provides an effective method of ensuring earth bonding to remote equipment by continuously monitoring the integrity of the earth conductor between the ECM and the protected apparatus.

The fitted socket outlet will only accept plugs to IEC/EN 60309-2 (BS4343) fitted with a dedicated pilot pin. This feature, combined with the ECM, provides an electrical interlock ensuring that the plug cannot be removed or inserted on load. Neither can the socket be energised unless the correct plug is fully inserted.

Housed in robust, lockable steel enclosures to IP65, this range is designed to meet the protection requirements of most commercial and industrial installations.

Please refer to EMGUARD Data Sheet for full details of adjustable Earth Continuity Monitoring.



A member of the  
Group owned by  
Findlay Durham & Brodie Ltd

See overleaf for full specification

# FDB 17 RCCB/ECM + Socket Outlet

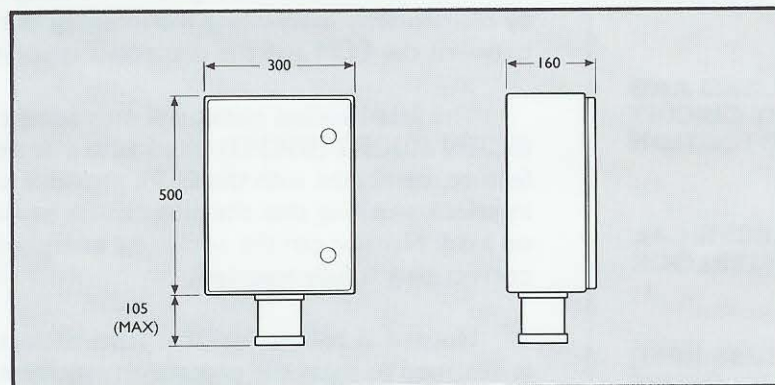
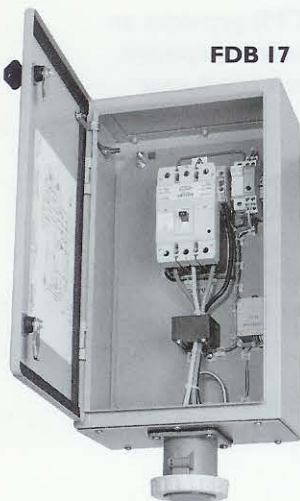
## Specification

Voltage:	380/440V 50Hz TP + N (500V To special order)
Ratings:	16A, 32A, 63A, 125A
RCD:	To BS4293 (Where applicable)
Residual Tripping Current:	20mA, 30mA, 100mA, 300mA
MCCB:	3 Pole, Current limiting type: 16KA, IEC947-2/BSEN60947-2 (AC 50/60Hz)
Earth Continuity Monitor:	EMGUARD System to BS4444
Socket Outlet:	To IEC/EN 60309-2 (BS4343) with dedicated pilot pin
Enclosure:	Zinc coated steel, hinged door. Gland Plates top & bottom Protection: IP65
Finish:	Epoxy Powder – Mist grey (RAL 7032)

**As with all our products, we are happy to tailor our standard specification to suit individual applications.**

### Order Reference

Current rating (amps)	Rated tripping current			
	20mA	30mA	100mA	300mA
16	17B1520	17B1530	17B15100	17B15300
32	17B3020	17B3030	17B30100	17B30300
63	17B6020	17B6030	17B60100	17B60300
125	17B12520	17B12530	17B125100	17B125300



In line with our policy of constant improvements, we reserve the right to vary the specifications contained in this leaflet.

**FDB Electrical Ltd**  
Reynard Business Park  
Windmill Road  
Brentford  
Middlesex TW8 9NZ  
Tel: 020 8568 4621

We manufacture a complete range of electrical safety products.  
Please contact us for



A member of the Group owned by Findley Durham & Brodie Ltd